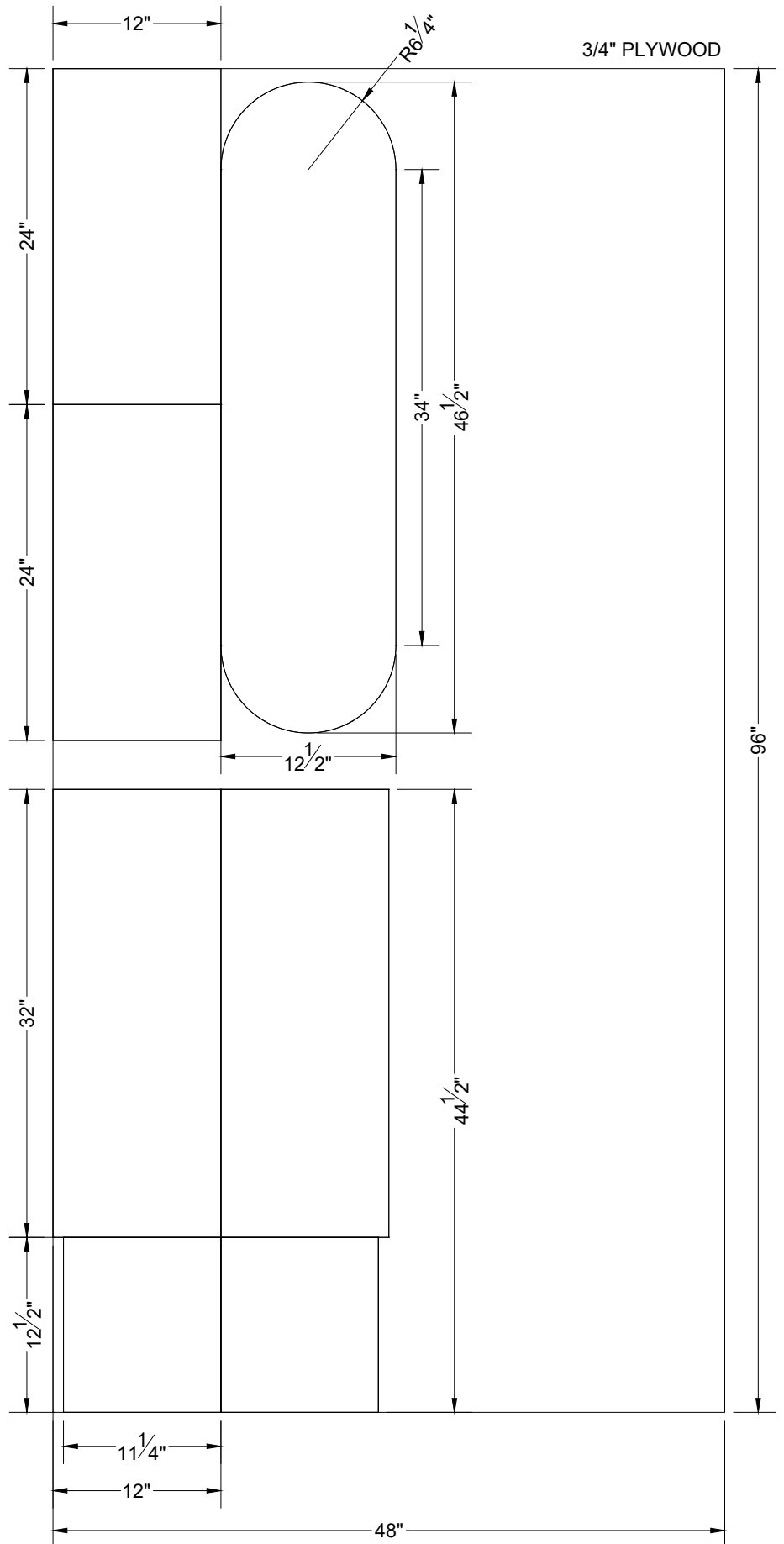
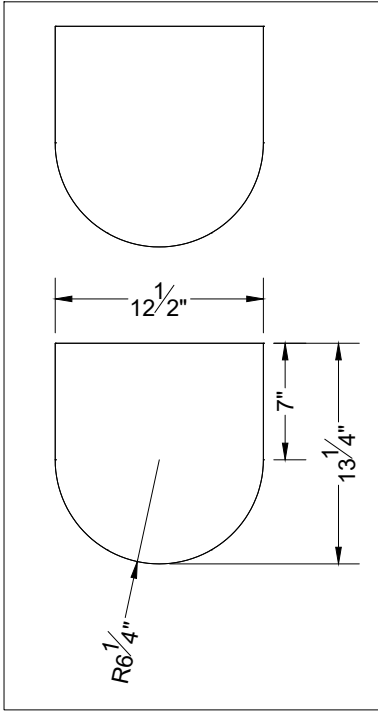
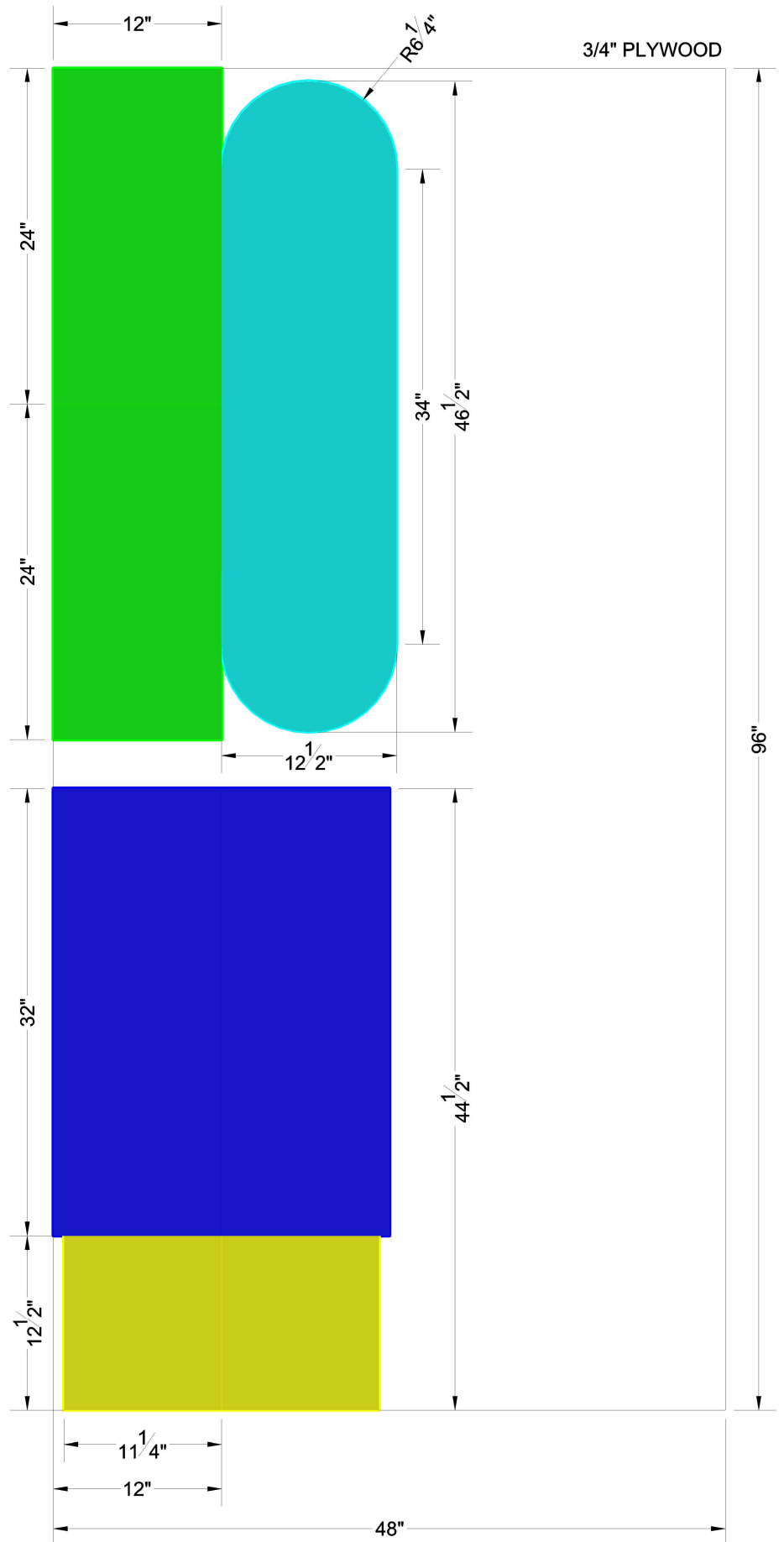
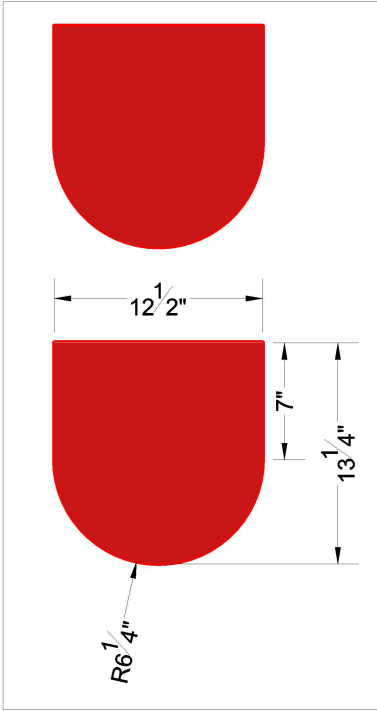
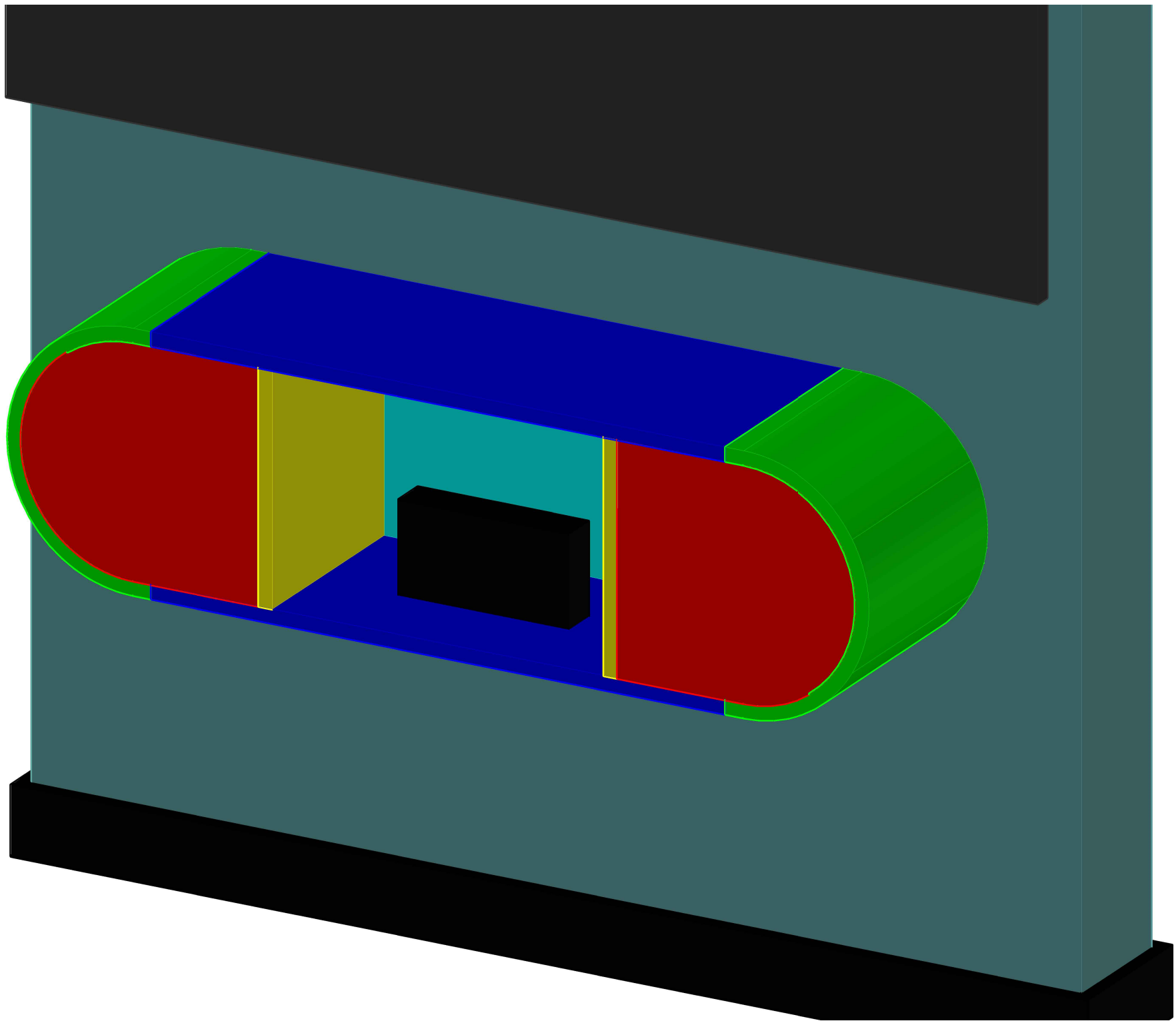


3/4" SOLID WOOD DOORS



3/4" SOLID WOOD DOORS





# Kerf Spacing Calculator for Bending Wood

Curve Radius (outside)

Curve Sweep Angle

Kerf Width

Wood Thickness

Min Thickness

Router Tapered  Video

Colour  Dimensions

**Calculate**



**20** Cuts of **3** mm @ **29.4** mm centres with **26.4** mm wood width between cuts

Curve Radius 178 - Sweep Angle 180° - Wood Thick 19 - Kerf Width 3 Printed Scale 2.41 : 1

